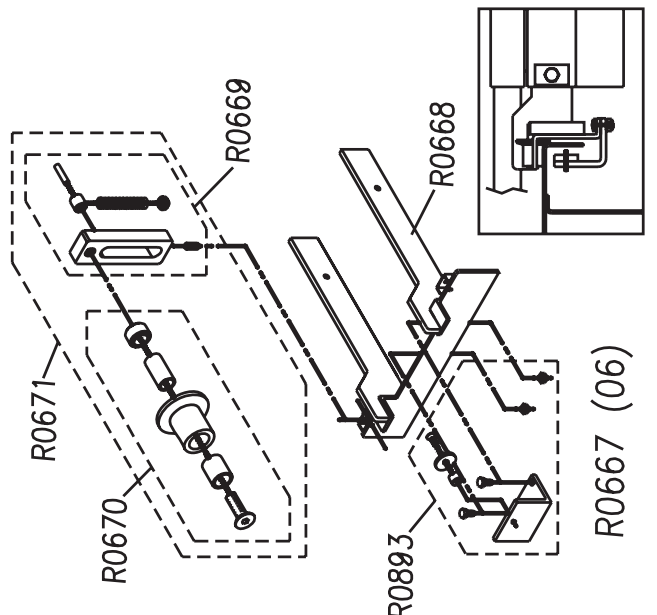
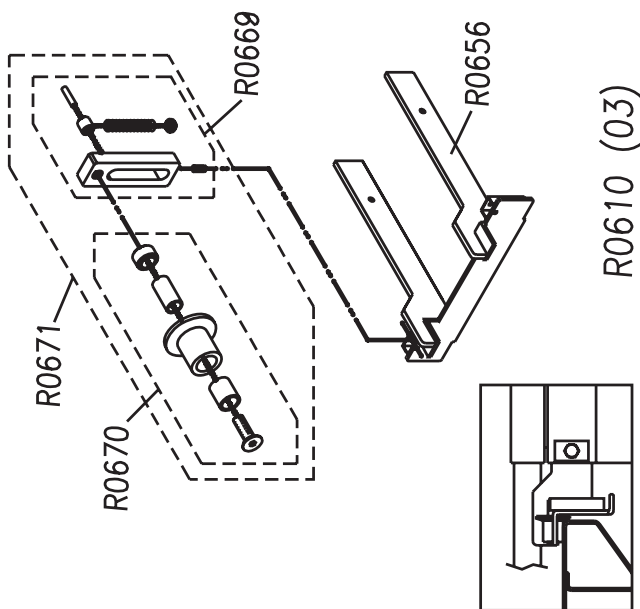
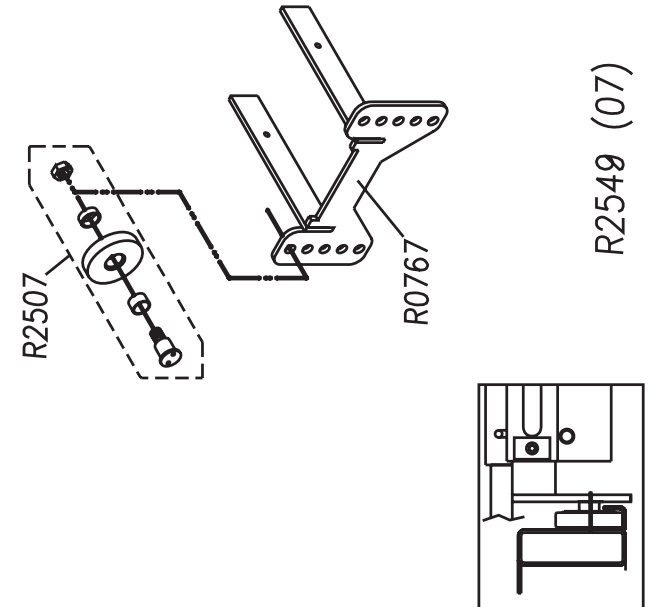
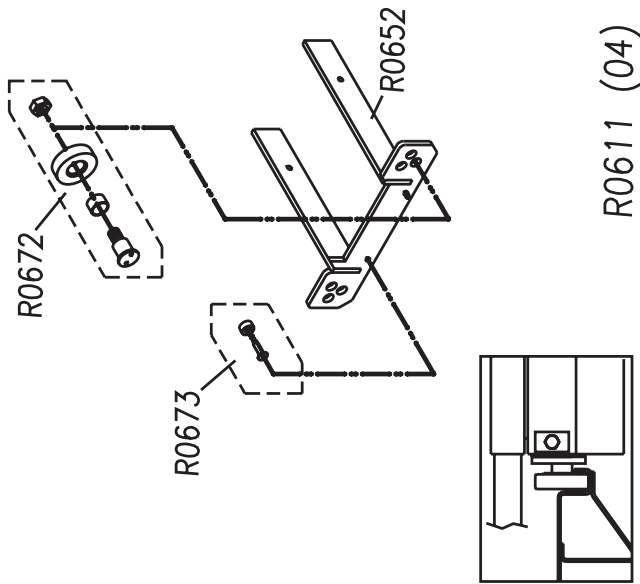
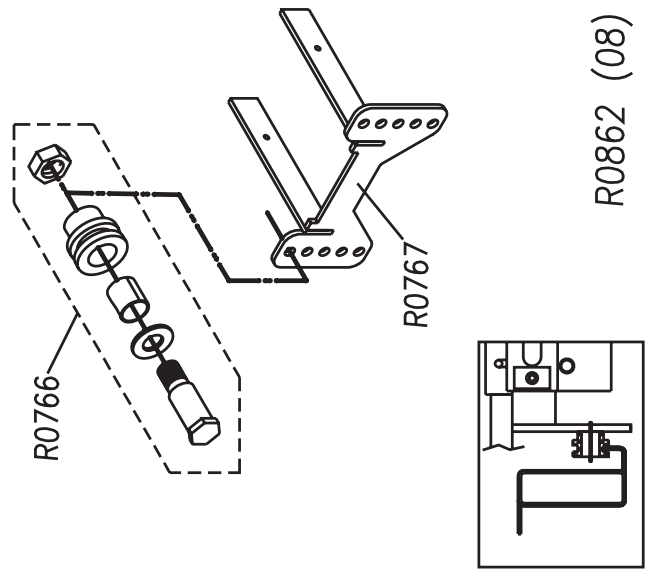
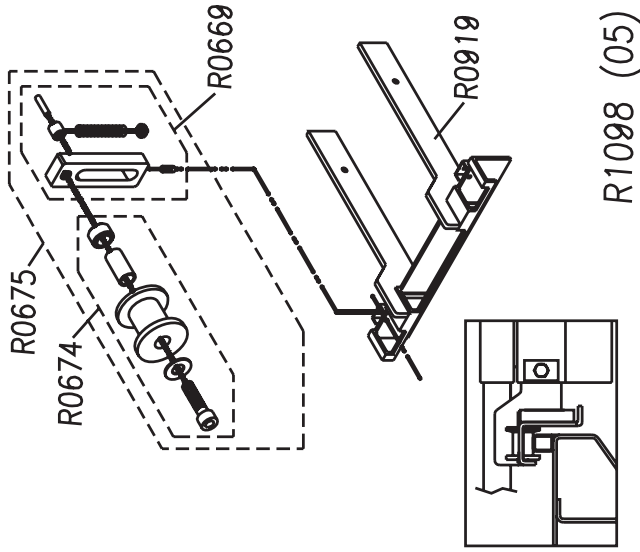
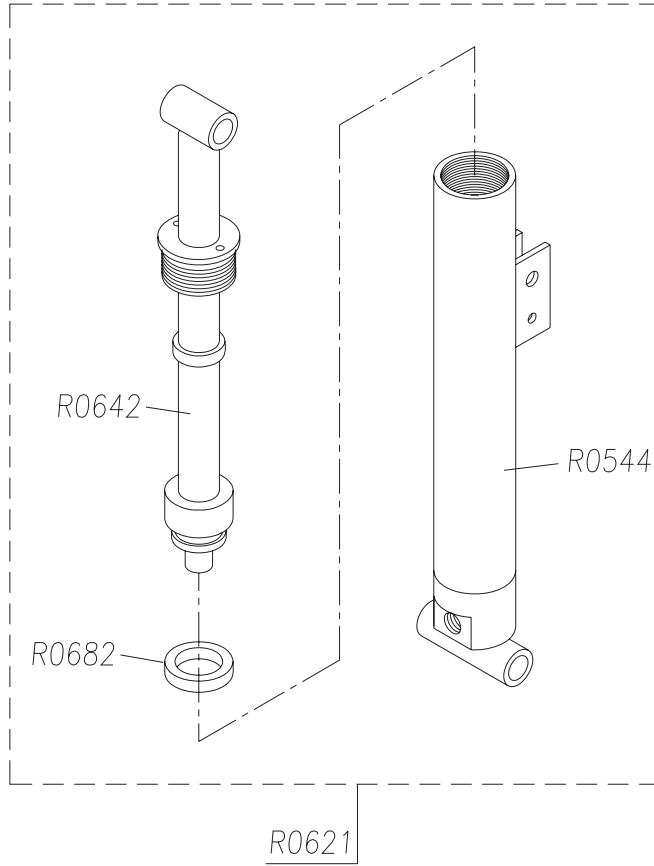


# GAVELSATSER

# KIT CONNECTING STRUCTURE

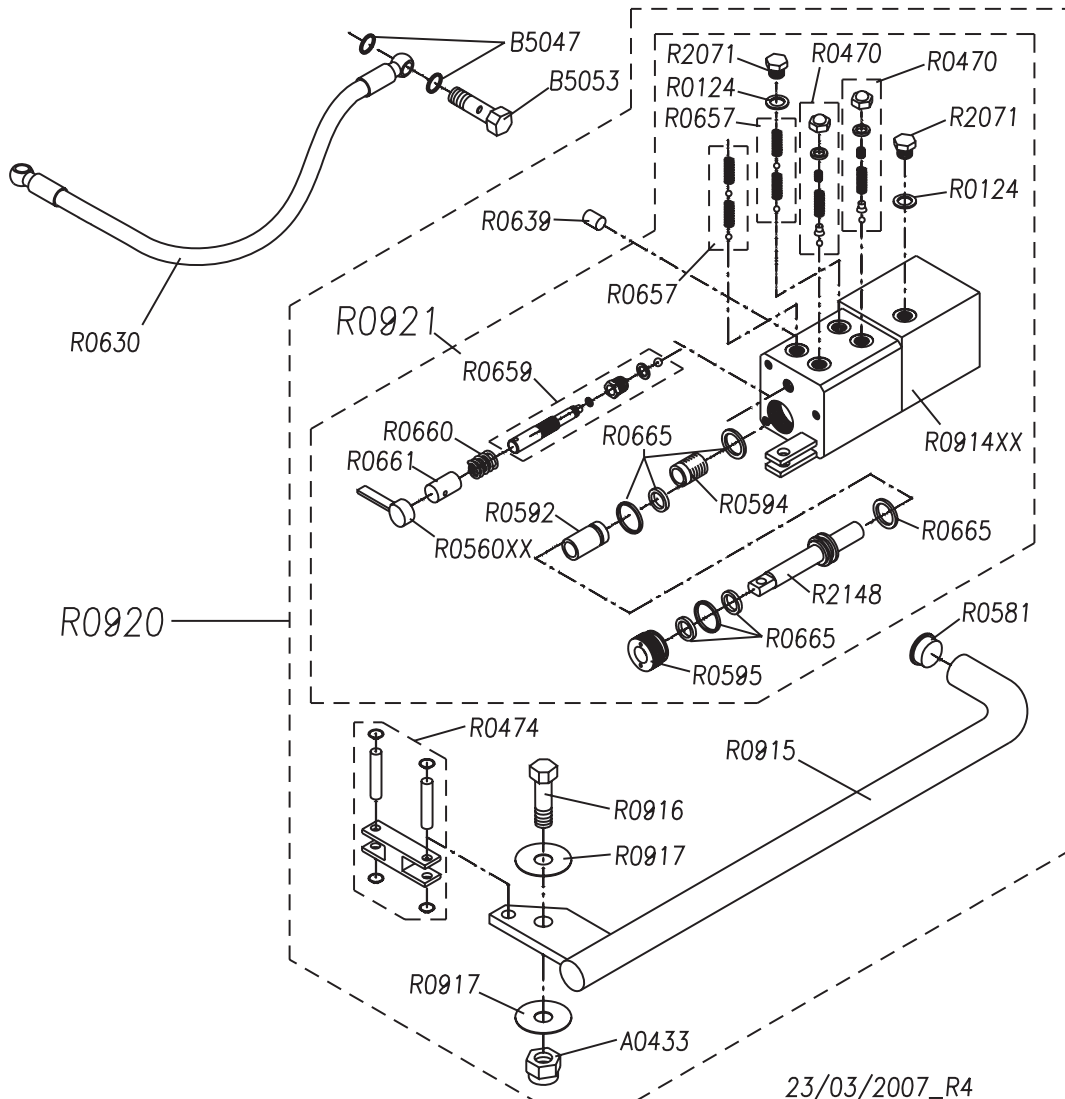


**CYLINDER      CYLINDER**



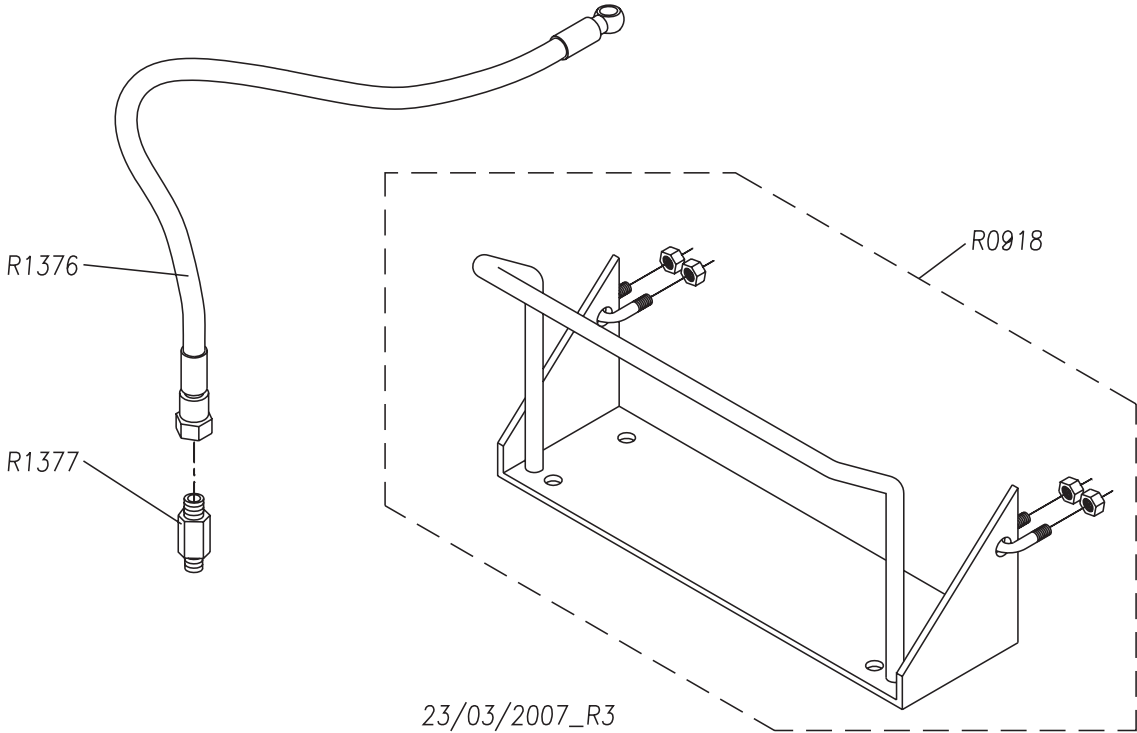
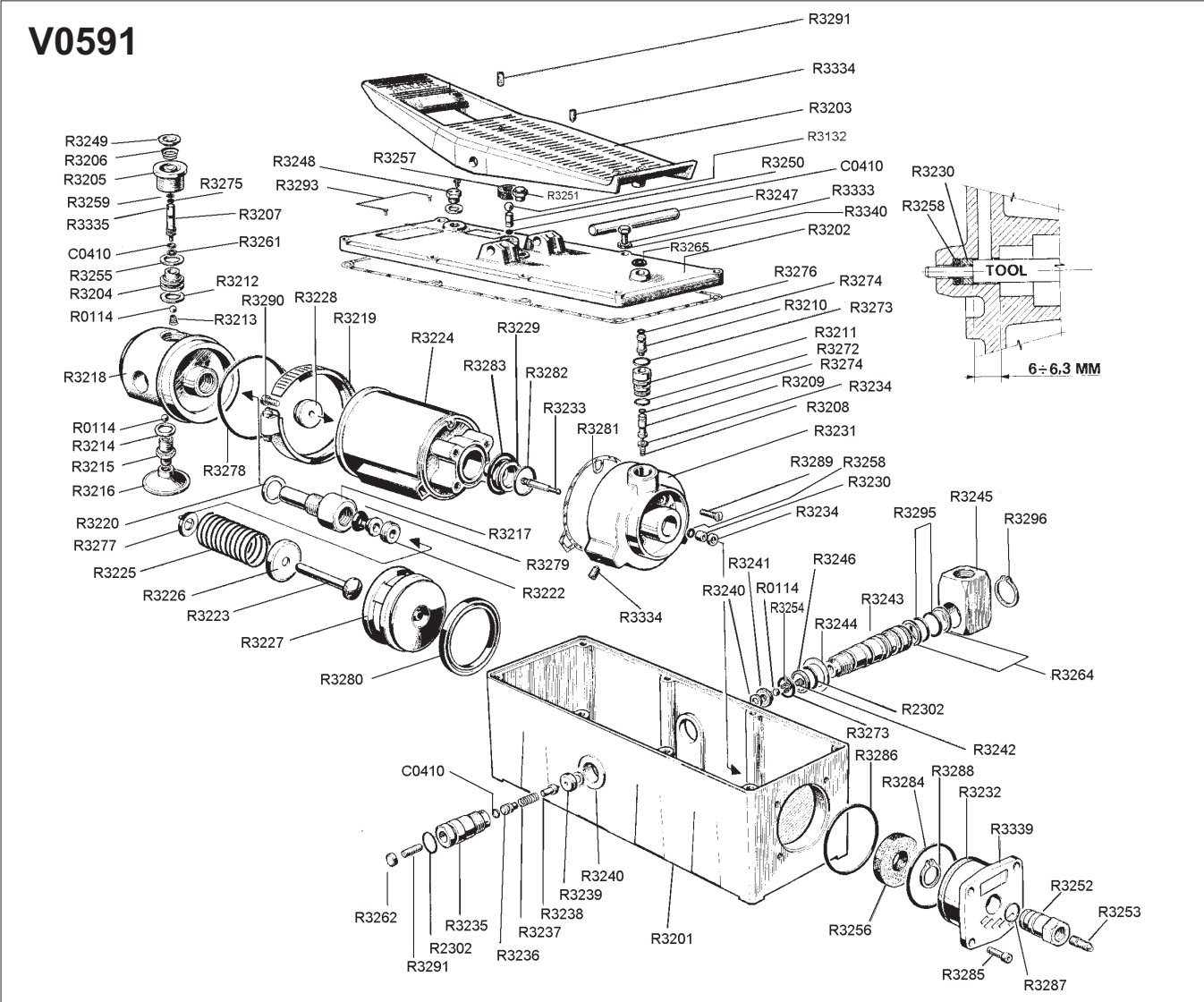
**Manuell pump**

**Manual pump**



23/03/2007\_R4

V0591



23/03/2007\_R3

Part Code	Rek.	Beskrivning	Description
A0433		DADO AUTOBLOCCANTE M12 ZINCATO	SELF-LOCKING NUT M12
B1007		DISCO GOMMA	RUBBER PAD
B5047		RONDELLA DI TENUTA CON GUARNIZIONE 1/4"	GASKET WITH 1/4" SEAL
B5053	*	VITE FORATA 1/4	SCREW 1/4
B5062	*	KIT VALVOLA BLOCCA CILINDRO	CYLINDER SAFETY VALVE ASSEMBLY
C0410		O'RING 2018	O'RING 2018
R0114		SFERA 1/4"	SPHERE 1/4"
R0124		RONDELLA RAME D 14X20X1,5	COPPER WASHER D 14X20X1,5
R0470		KIT VALVOLA DI MASSIMA POMPA	SAFETY VALVE KIT
R0474		KIT BIELLA POMPA+FLANGIA	FLANGE + CONNECTING MOD KIT
R0482		RULLO INF.542 30X20X23,5 ZG	LOWER ROLL 30X20X23,5
R0504		PERNO SUP. SNODO CILINDRO	UPPER CYLINDER JOINT PIN
R0544		CILINDRO COMPL.	COMPLETE CYLINDER
R0560XX		MANIGLIA SPILLO	PIN HANDLE
R0581		TAPPO LEVA	LEVER PLUG
R0583		TIRANTE	ROD
R0592		CILINDRO POMPANTE	CYLINDER PUMPING ELEMENT
R0594		GHIERA POSTERIORE POMPANTE	RING NUT HEAD PUMPING ELEMENT
R0595		GHIERA ANTERIORE POMPANTE	RING NUT FRONT PUMPING ELEMENT
R0610		KIT ATTACCO STRUT.COMPL. .03	KIT CONNECTING STRUCTURE .03
R0611		KIT ATTACCO STRUT.COMPL. .04	KIT CONNECTING STRUCTURE .04
R0613		SEEGER RINF.E20X1,5 UNI 7436	SEEGER E20X1,5 UNI 7436
R0615		PERNO UNIONE LEVE ZG	LEVERS UNION PIN
R0614XX		TRAVERSA MOBILE	CROSSBEAM
R0616		PERNO LEVA BUSS.TRAV.D.20X168	PIN LEVER BUSH CROSSBEAM
R0617		DISTANZ.LEVE SUP.	SPACER LEVERS UPPER CROSSBEAM
R0618		PERNO SUP.TRAV.D.20X132	UPPER PIN CROSSBEAM
R0619XX		LEVA	LEVER
R0620		ASTA DI SICUREZZA	SECURITY ROD
R0621		CILINDRO IDR.	HYDRAULIC CYLINDER
R0622		PERNO ZEPPA D.20X77	PIN WEDGE D.20X77
R0624		MOLLA TASTA FUNE	SQUASHED ROPE SPRING
R0625		PERNO GUIDA MOLLA ZEPPA	SPRING WEDGE PIN
R0626		PERNO CIL.TELAI.D.20X229	CYLINDER FRAME PIN
R0627XX		LEVA INF.INTERNA SX	LOWER INSIDE LEFT LEVER
R0628		GUAINA L=850 CAVO 1,5	SHEAT L=850 CABLE 1,5
R0629		TIRANTE CON CAVO D1,5 L=1000	ROD+CABLE D1,5 L=1000
R0630		TUBO FLESS.	FLEX HOSE
R0631		DISTANZ.LEVE INF.L=124	SPACER LOWER LEVER L=124
R0632		PERNO UNION.LEVA E24X200	UNION PIN FOR ROLL E24X200
R0633		PERNO INF.RULLI D.20X202	LOWER PIN FOR ROLL D.20X202
R0639		DISTANZ.PULEGGIA D.50	SPACER PULLEY D.50
R0640		LEVA APERTURA ZEPPA	LEVER OPENING WEDGE
R0641		ZEPPA DI SICUREZZA	SECURITY WEDGE
R0642		PISTONE IDR.	HYDRAULIC PISTON
R0643XX		LEVA INF.INTERNA DX	LOWER INSIDE RIGHT LEVER
R0644		PERNO CERN.ASTA X MOLLA ZEPPA	PIN FOR SPRING WEDGE
R0645		GRANO M8X20 UNI 5923	SCREW M8X20
R0652		APPOGGIO SCORREVOLE .04	SLIDING SUPPORT .04
R0656		APPOGGIO SCORREVOLE .03	SLIDING SUPPORT .03

R0657		VALVOLA ASPIR.COMPRESSI.	SUCTION VALVE
R0659		VALVOLA SCAR.	DISCHARGE VALVE
R0660		MOLLA RICHIAMO VALV.SCAR.	RETURN SPRING FOR VALVE
R0661		BUSSOLA COPRIM.VALV.SCAR.	BUSH SPRING VALVE
R0662		RIDUZIONE M-F 3/8X1/4 IDR.	REDUCTION M-F 3/8X1/4 IDR.
R0664	*	VITE FORATA ¼ CON STROZZATORE	SCREW ¼ WITH THROTTLE VALVE
R0665		KIT GUARNIZIONI POMPA MANUALE	GASKETS KIT FOR MANUAL PUMP
R0667		KIT ATTACCO STRUT.COMPL. .06	KIT CONNECTING STRUCTURE .06
R0668		APPOGGIO SCORREVOLE .06	SLIDING SUPPORT .06
R0669		KIT PIATTO SCORRIM. .03 - .05 - .06	GUIDING PAD ASSY
R0670		KIT RULLO .3 - .6	WHEEL KIT .03 - .06
R0671		KIT RULLO+SUPPORTO .03 - .06	ROLLER+SUPPORT ASSY
R0672		KIT RULLO .04	WHEEL KIT .04
R0673		KIT PATTINO LATERALE .4	LATERALL PAD ASSY
R0674		KIT RULLO .05	WHEEL KIT .05
R0675		KIT RULLO+SUPPORTO .05	ROLLER+SUPPORT ASSY
R0682		GUARNIZIONE RSE 50 35	GASKET RSE 50 35
R0766		KIT RULLO .08	WHEEL KIT .08
R0767		APPOGGIO SCORREVOLE .07-.08	SLIDING SUPPORT .07-.08
R0862		KIT ATTACCO STRUT.COMPL. .08	KIT CONNECTING STRUCTURE .08
R0893		KIT PATTINO LATERALE .06	LATERALL PAD ASSY
R0904		KIT PIATTELLO REGISTRABILE	KIT PAD
R0905		TENDINE PROTEZIONE	PROTECTION
R0910XX		SCATOLA	BOX
R0914		CORPO POMPA COMPL.	COMPLETE PUMP
R0915		MANICO POMPANTE	PUMP HANDLE
R0916		VITE MANICO POMPA	PUMP HANDLE SCREW
R0917		RONDELLA MANICO POMPA	WASHER
R0918		SUPPORTO POMPA HP700	PUMP HOLDER HP700
R0919		APPOGGIO SCORREVOLE .05	SLIDING SUPPORT .05
R0920		KIT POMPA MANUALE CON LEVA	KIT MANUAL PUMP WITH LEVER
R0921		POMPA MANUALE	MANUAL PUMP ASSY
R1098		KIT ATTACCO STRUT.COMPL. .05	KIT CONNECTING STRUCTURE .05
R1376		TUBO FLESSIBILE POMPA PNEUMATICA	FLEX HOSE FOR PNEUMATIC PUMP
R1377		VALVOLA CONTROLLO DISCESA	DESCENT CHECK VALVE
R2071		TAPPO TE 1/4	BLIND PLUG TE 1/4
R2148		POMPANTE DE	DE PUMPING ELEMENT
R2302		O'RING 117	O'RING 117
R2503		PROLUNGA LATERALE	EXTENSION LEVER
R2504		PROLUNGA CENTRALE	CENTRAL EXTENSION
R2507		KIT RULLO .07	WHEEL KIT .07
R2549		KIT ATTACCO STRUT.COMPL. .07	KIT CONNECTING STRUCTURE .07
R3132		SFERA 5/16°	BALL 5/16°
R3201		SERBATOIO BIANCO POMP	TANK
R3202		COPERCHIO POMPA HP700	COVER PLATE
R3203		PEDALIERA POMPA HP700	FOOT PEDAL
R3204		SEDE VALV. RITORNO POMPA HP700	RELEASE VALVE
R3205		CORPO PERNO DIFFERENZ. POMPA H	RELEASE GUIDE (TORQUE TO 0+75 -LBS OILED)
R3206		MOLLA PERNO DIFFERENZ. POMPA H	SPRING
R3207		PERNO DIFFERENZ. POMPA HP700	RELEASE/PLUNGER
R3208	*	MOLLA VALV. INIZIO CICLO POMPA	SPRIG

R3209	*	PISTONE INIZIO CICLO HP700	PISTON
R3210	*	PERNO COMANDO INIZIO CICLO POM	PIN
R3211		SEDE VALV. POMPA HP700	POPPET GUIDE
R3212		RONDELLA SEDE RITORNO POMPA HP	WASHER
R3213		MOLLA SFERA RITORNO OLIO POMPA	SPRNG
R3214		RONDELLA RAME 14X20X1 POMPA HP	WASHER
R3215		RACCORDO FILTRO ASP. POMPA HP7	FILTER ADAPTER (TORQUE TO 45+55 LT- BS OILED)
R3216		FILTRO OLIO POMPA HP700	OIL FILTER
R3217		CORPO POMPANTE POMPA HP700	CYLINDER HP 700 (TORQUE TO 90+100 LT-LBS OILED)
R3218		CORPO POMPA HP700	BODY
R3219		FASCETTA SERRAGGIO CANNA POMPA	RETAINING COUPLING
R3220		RONDELLA RAME 18X24X1,5 POMPA	WASHER
R3222		GHIERA DI GUIDA HP 700	RETAINER PISTON GUIDE HP 700
R3223	*	POMPANTE POMPA HP700	PISTON HP 700
R3224	*	CANNA POMPA HP700	CYLINDER
R3225		MOLLA POMPANTE POMPA HP700	SPRING
R3226		RONDELLA FERMO MOLLA POMPA HP7	SPRING WASHER HP 700
R3227		PISTONE POMPA HP700	PISTON
R3228		RONDELLA DI TENUTA POMPA HP700	WASHER SEAL
R3229		PISTONE INVERTITORE POMPA HP70	PISTON
R3230		BOCCOLA FERMO OR POMPA HP700	BUSHING
R3231	*	TESTATA POMPA HP700	HEED
R3232		FLANGIA POMPA HP700	FLANGE
R3233		PERNO PISTONE INVERT. POMPA HP	POPPET PLUNGER
R3234	*	GUARNIZIONE TENUTA FRONT. POMP	HEAD GASKET
R3235		RACCORDO VALVOLA LIMIT. POMPA	CONNECTION
R3236		SPINGIMOLLA POMPA HP700	PLUG PUMP HP 700
R3237		MOLLA VALV. LIMITATR. POMPA HP	SPRING
R3238		OTTURATORE VALV. LIMITATR. POM	CONE
R3239		SEDE VALV. LIMITATR. POMPA HP7	SEAT
R3240		RONDELLA RAME 8X12X1,5 POMPA A	WASHER
R3241		SEDE VALV. MANDATA POMPA HP700	BALL SEAT
R3242		MOLLA VALV. MANDATA POMPA HP70	SPRING
R3243		RACCORDO VALV. MANDATA POMPA H	CONNECTION
R3244		RONDELLA NYLON POMPA HP700	SPACER
R3245		RACCORDO ORIENTABILE POMPA HP7	CONNECTION
R3246		ANELLO ANTIESTRUSIONE POMPA HP	BK-RING
R3247		SPINA PEDALE POMPA HP700	PIN
R3248		TAPPO OLIO TCNS 1/4 POMPA HP70	FILTER PLUG
R3249		RONDELLA FERMO MOLLA HP700	SPRING WASHER HP 700 - HP 500 - HP 250
R3250		PERNO POMPA HP700	PIN
R3251		VALVOLA SICUREZZA POMPA HP700	SAFETY VALVE
R3252		RACCORDO ARIA POMPA HP700	CONNECTION
R3253		FILTRO ARIA POMPA HP700	AIR FILLTER
R3254		GUIDA SFERA POMPA HP700	BALL GUIDE
R3255		RONDELLA RAME 16X20X1,5 POMPA	WASHER
R3256		SILENZIATORE POMPA HP700	FOAM TUBE
R3257		PROTEZIONE SFERA POMPA HP700	FOAM TUBE
R3258		O'RING 104 1A008	O-RING 104
R3259		ANELLO ANTIESTRUSIONE POMPA HP	BK-RING



R3261		ANELLO ANTIESTRUSIONE POMPA HP	BK-RING
R3262		TAPPO PIOMBO POMPA HP700 (107)	LEADEN SEAL
R3264		ANELLO ANTIESTRUSIONE POMPA HP	BK-RING
R3265		RASCHIATORE G6-10-2 POMPA HP70	WIPER D.6
R3272	*	O'RING 114	O-RING 114
R3273	*	O'RING 2050	O-RING 2050
R3274	*	O'RING 2010	O-RING 2010
R3275	*	O'RING 2012	O-RING 2012
R3276		GUARNIZIONE COPERCHIO SERBATOI	SEAL
R3277		AMMORTIZZATORE POMPA HP700	SHOCK ABSORBER HP700-HP500
R3278		O'RING 3268	O-RING 3268
R3279		GUARNIZIONE POMPANTE POMPA HP7	"U" CUP HP 700
R3280	*	GUARNIZIONE PISTONE ARIA POMPA	"U" CUP
R3281	*	GUARNIZIONE CANNA POMPA HP700	SEEL
R3282		GUARNIZIONE	GASKET
R3283		O'RING 2100	O-RING 2100
R3284		O'RING 3200	O-RING 3200
R3285		VITE TCEI M5X10 UNI 5931 ZB	HEX. SOCKET HEAD SCREW M5X10 UNI 5931 ZB
R3286		O'RING 3218	O-RING 3218
R3287		O'RING 115	O-RING 115
R3288		SEEGER POMPA HP700	RETAINING RING
R3289		VITE TSCE 90° M5X18 UNI 5933 Z	SCREW M5X18 UNI 5933 Z
R3290		VITE TCTC M5X10 UNI 6107 ZB	SCREW M5X10 UNI 6107 ZB
R3291		GRANO BLOK STEI M6X104 POMPA H	SET SCREW (NYLOCK)
R3293		RIVETTO ACC. 1,9X3,5 UNI 7346	RIVET
R3295		O'RING 119	O-RING 119
R3296		SEEGER AV20 POMPA HP700	SEEGER AV20
R3333		VITE (COPPIA 2,5 NM)	SCREW (TORQUE TO 25 IN-LBS)
R3334	*	GRANO	SCREW
R3335		SPINA	PIN
R3340		RONDELLA POMPA HP700	WASHER
V0591		POMPA AZIONAMENTO CILINDRO	CYLINDER OPERATING PUMP
Z_ZCONS		* = RICAMBI CONSIGLIATI	* = RECOMMENDED SPARE PARTS





Dichiarazione di conformità  
Declaration of Conformity  
Konformitätserklärung  
Déclaration de conformité  
Declaración de conformidad  
CE-konformitetsdeklaration



con la presente dichiara che  
déclare par la presente que  
hereby declare that  
erklären hiermit, daß  
por la presente declara, que  
deklarerar härmed att:

**OMA S.p.A.**

Sede centrale: Via Dell' Artigianato,64

36045 LONIGO(VI)- ITALY

Telefono ++ / +444 / 436199

Telefax ++ / +444 / 436208

***Le traverse idrauliche - Les traverse hydrauliques -  
The hydraulic jacking beam - den hydrauliska domkraften***

# 542 - 542A



è stato costruito in conformità alle normative 98/37/CE



a été construite en conformité avec les normes 98/37/CE



was manufactured in conformity with the normes 98/37/CE



in Übereinstimmung mit den Richtlinien 98/37/CE



ha sido fabricado según las disposiciones 98/37/CE



har tillverkats i enlighet med gällande normer 98/37/CE

Aprile 26, 2001

Ing. Carlo Cordonatto